

MHF[®]-SW23

RF inspection switch



- Small size for smart phones, mobile phones and other small applications.
- I-PEX original contact structure for high contact reliability.
- Anti flux / flux wicking structure.
- Wide contact stroke to provide high reliability inspection.
- Variety of test probes available.

【Number of Position】

20549-001E ***
 ① ②

①		E	Emboss Tape
②	Packaging	Non	10,000pcs / reel
		-01	2,500pcs / reel

Product	Parts	Material	Plating / Color
MHF [®] -SW23	HOUSING	LCP	BLACK
	CONTACT A	COPPER ALLOY	Au over Ni
	CONTACT B	COPPER ALLOY	Au over Ni
	GROUND CONTACT	COPPER ALLOY	Au over Ni

【Test prove tool】

For manual inspection (with Lock)



90582-0*00

Durability 1,000 cycle

For automatic inspection



90604-0001

Durability 10,000 cycle

For automatic inspection (with floating function)

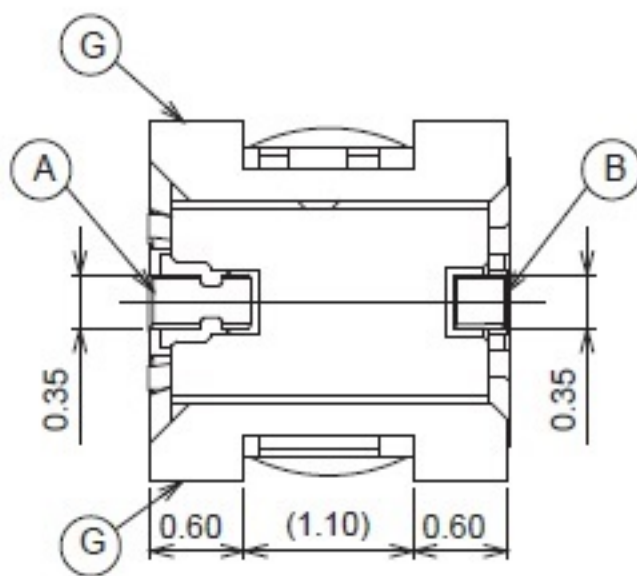
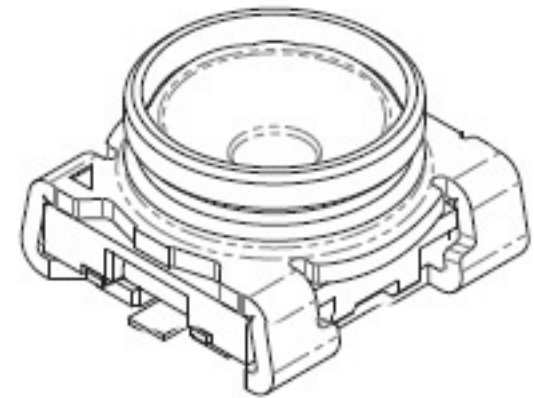
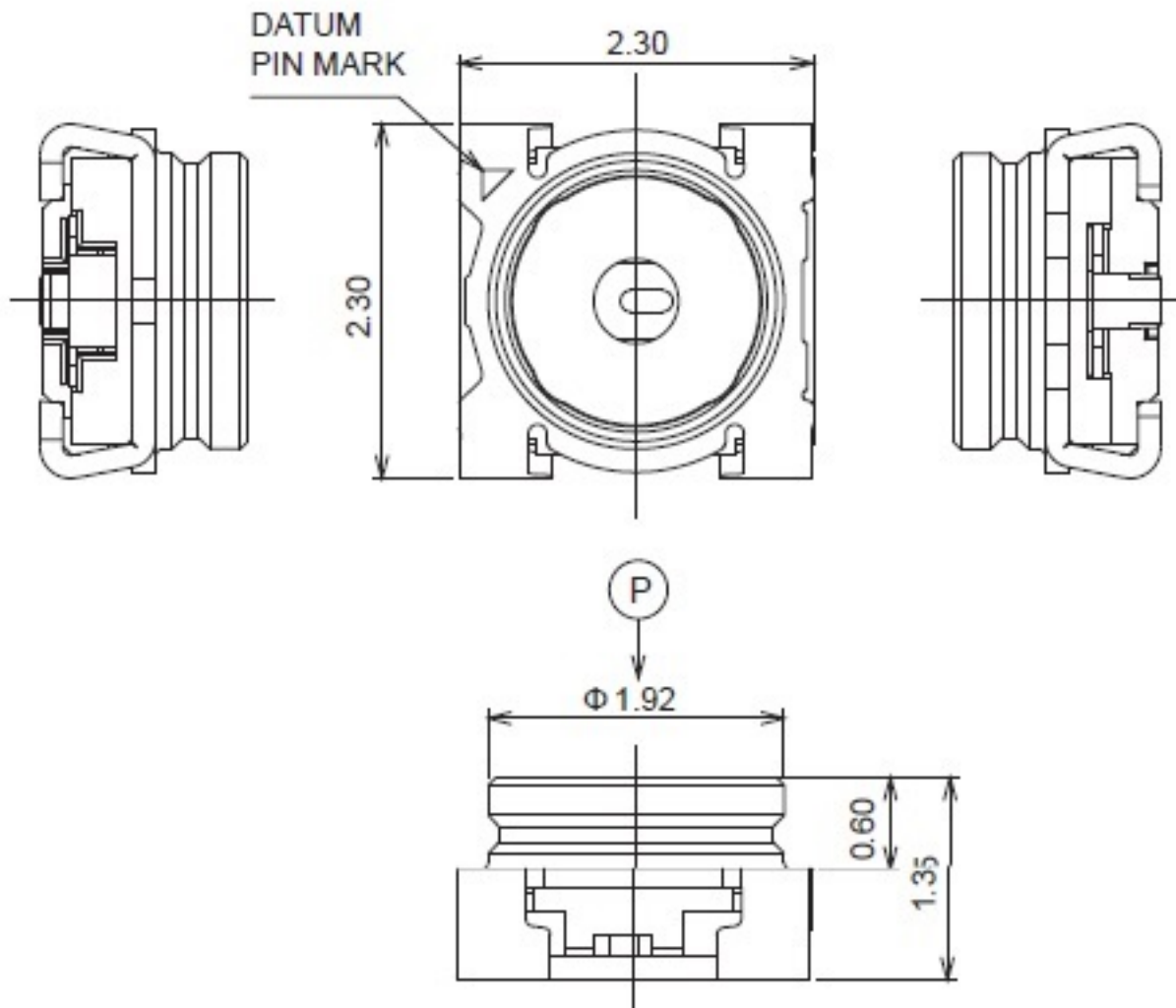


90605-0001

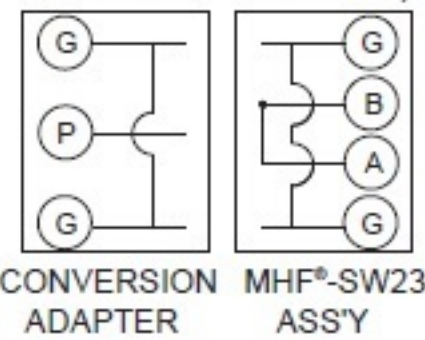
Durability 200,000 cycle

L : Please contact to our sales about cable length.

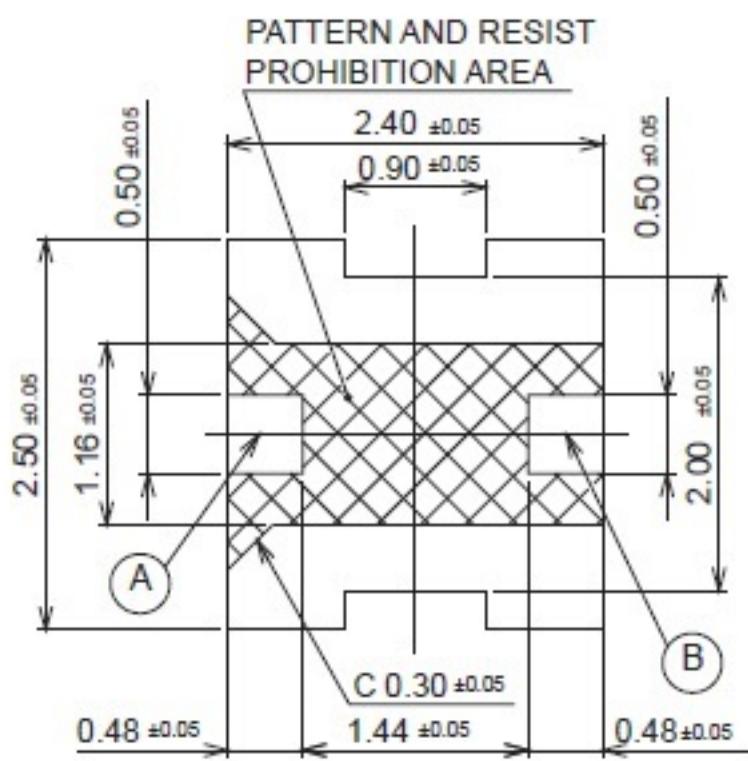
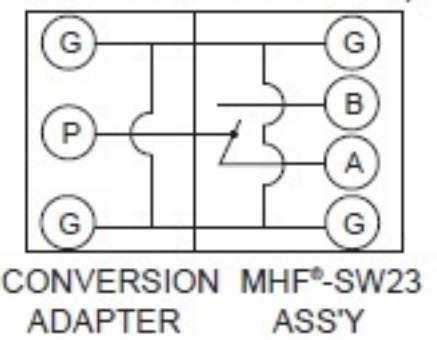
MHF®-SW23



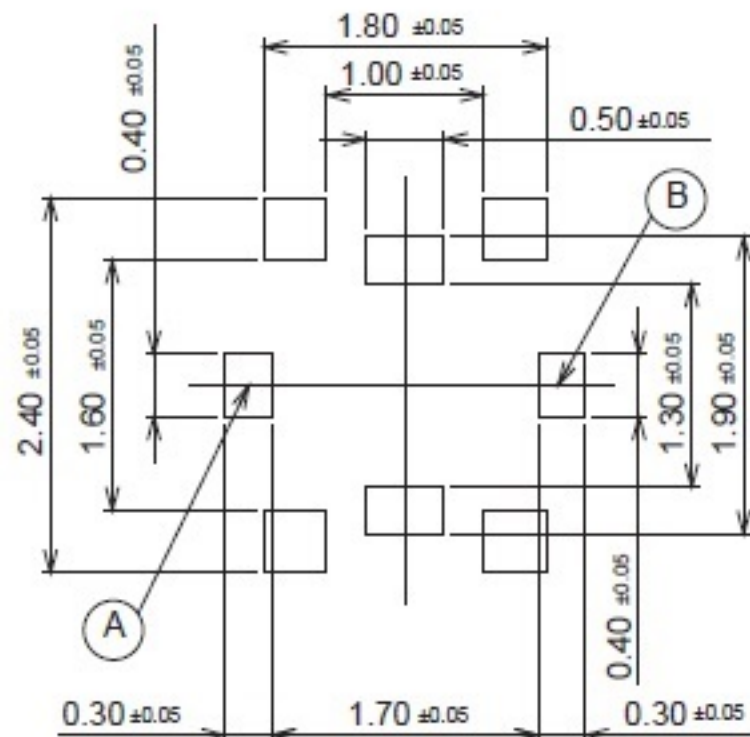
ON STATE
(NOT MATED WITH THE
CONVERSION ADAPTER)



OFF STATE
(MATED WITH THE
CONVERSION ADAPTER)



RECOMMENDED FOOTPRINT PATTERN



METAL MASK
THICKNESS : 0.1mm